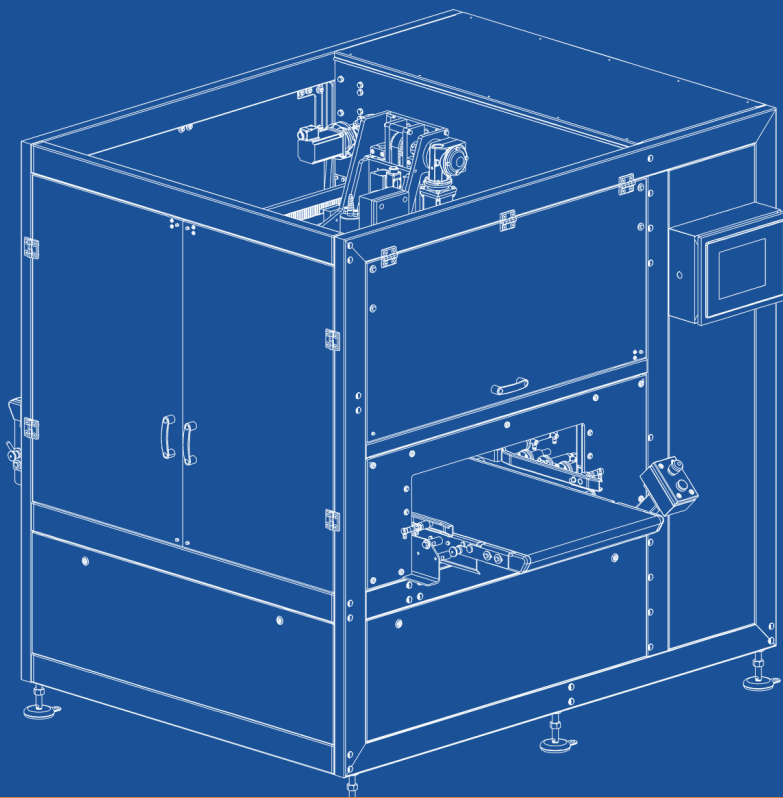




UCM 600 Basic

ULTRASONIC CUTTING MACHINE

The next generation of cutting technology



N

C

D

flexible

dynamic

economic

 made
in
Germany

KRUMBEIN
food in process



Continuous machine for inline production

Easy operation via touch display



Robust high-conductivity machine

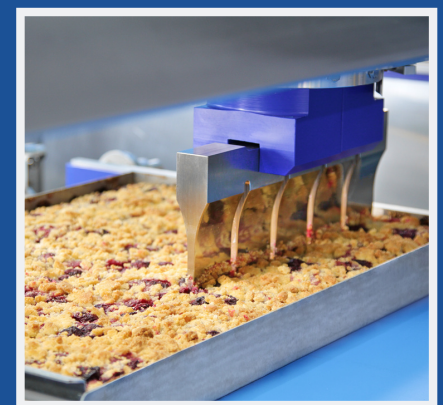
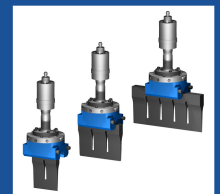


BENEFITS

- modern ultrasonic cutting technology for a wide range of cutting tasks
- high time saving (continuous process)
- perfect cutting results
- consistent quality of the pieces
- max. product height: 85 mm
- integrated linear conveyor
- adjustable to product requirements
- highest safety standard due to safety light grid
- cutting without damaging the product
- low noise



PRODUCT GALLERY



KEY FEATURES

- exchange system for different cutting heads
- for pies and cakes in baking tray and on cutting plate, frozen and fresh products
- simple and intuitive machine operation
- touch display with recipe visualization
- hygienic design - for intensive wet cleaning designed



OPTIONS

- automatic knife cleaning system with superheated steam
- special cutting function
- Control package for integration in KRUMBEIN production line
- Feeding belt, Laxative belt and buffer belt

KRUMBEIN rationell GmbH & Co. KG
 Bakery- and confectionery machines
 Mechanical engineering
 An der Schaltstation 3b
 99891 Bad Tabarz / Thüringen

Phone: +49 (0)36259 58015
 E-mail: info@krumbein-rationell.de
 Homepage: www.krumbein-rationell.de

sales partner
 for your region:

