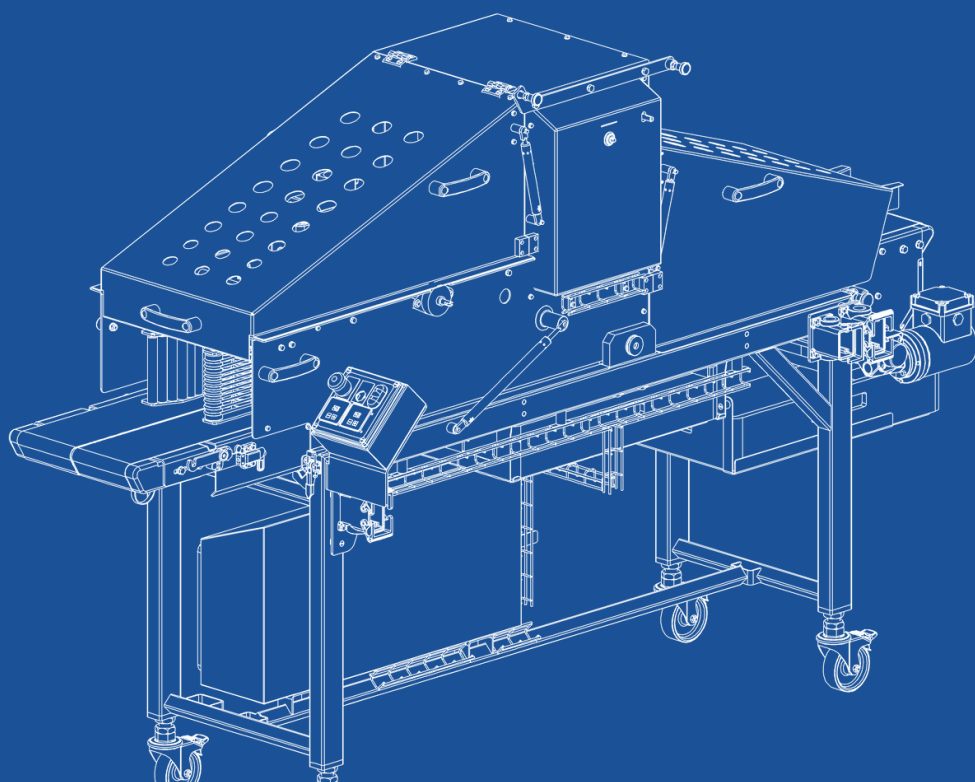




VSM - 180

## VERTICAL SLICER

Perfect extension for automated snack production



V  
S  
M

*robust*

*hygienic*

*productive*

 made  
in  
Germany

 **KRUMBEIN**  
food in process

more  
informations:



continuous cutting



hinge cut and complete cut possible



mobile machine



## BENEFITS

- vertical cutting of products in a continuous process with perfect cutting results
- for buns, baguettes, bagels etc.
- hinge cut and complete cut
- gentle cutting of the products
- infinitely variable blade height adjustment
- high productivity
- products lie on belt after cutting with cut surfaces facing upwards - direct further processing on line possible

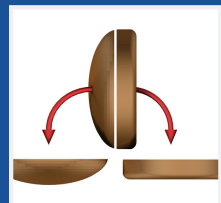
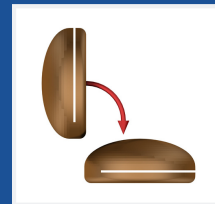


## KEY FEATURES

- ensures process-reliable work
- single-track, compact, mobile machine
- side conveyors individually adjustable to the cutting position - each belt separately with position scale
- highest safety standard - completely enclosed machine housing for compliance with prescribed safety distances
- hygienic design - suitable for intensive wet cleaning
- swivel castors with spindle height adjustment for optimum adaptation of the machine to the working height of a production line
- Interlinking possibility with the KRUMBEIN production lines



## PRODUCT GALLERY



**KRUMBEIN rationell GmbH & Co. KG**  
Bakery- and confectionary machines  
Mechanical engineering  
An der Schaltstation 3b  
99891 Bad Tabarz / Thüringen

Phone: +49 (0)36259 58015  
E-mail: [info@krumbein-rationell.de](mailto:info@krumbein-rationell.de)  
Homepage: [www.krumbein-rationell.de](http://www.krumbein-rationell.de)

sales partner  
for your region:

